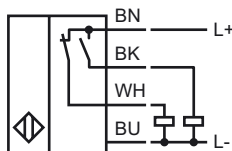




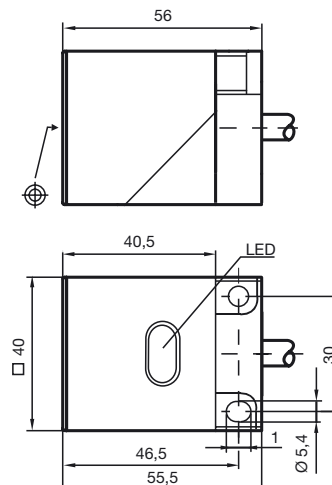
### Model Number

NBN40-L2-A2

### Connection



## Dimensions



## Technical Data

### General specifications

|                            |       |                |            |
|----------------------------|-------|----------------|------------|
| Switching element function |       | PNP            | Antivalent |
| Rated operating distance   | $s_n$ | 40 mm          |            |
| Installation               |       | not embeddable |            |
| Output polarity            |       | DC             |            |
| Assured operating distance | $s_a$ | 0 ... 32.4 mm  |            |
| Reduction factor $r_{A1}$  |       | 0.5            |            |
| Reduction factor $r_{Cu}$  |       | 0.4            |            |
| Reduction factor $r_{V2A}$ |       | 0.85           |            |

### Nominal ratings

|                                   |       |  |
|-----------------------------------|-------|--|
| Operating voltage                 | $U_B$ | 10 ... 30 V                            |
| Switching frequency               | $f$   | 0 ... 150 Hz                           |
| Hysteresis                        | $H$   | typ. 5 %                               |
| Reverse polarity protection       |       | protected against reverse polarity     |
| Short-circuit protection          |       | pulsing                                |
| Voltage drop                      | $U_d$ | $\leq 3$ V                             |
| Operating current                 | $I_L$ | 0 ... 200 mA                           |
| Off-state current                 | $I_r$ | 0 ... 0.5 mA typ. 0.1 $\mu$ A at 25 °C |
| No-load supply current            | $I_0$ | $\leq 20$ mA                           |
| Operating voltage display         |       | LED, green                             |
| Indication of the switching state |       | LED, yellow                            |

### Standard conformity

|           |                         |
|-----------|-------------------------|
| Standards | IEC / EN 60947-5-2:2004 |
|-----------|-------------------------|

### Ambient conditions

|                     |                               |
|---------------------|-------------------------------|
| Ambient temperature | -25 ... 70 °C (248 ... 343 K) |
|---------------------|-------------------------------|

### Mechanical specifications

|                    |                      |
|--------------------|----------------------|
| Connection type    | 2 m, PVC cable       |
| Core cross-section | 0.34 mm <sup>2</sup> |
| Housing material   | PBT                  |
| Sensing face       | PBT                  |
| Protection degree  | IP67                 |